

GV-NET Card V3.1

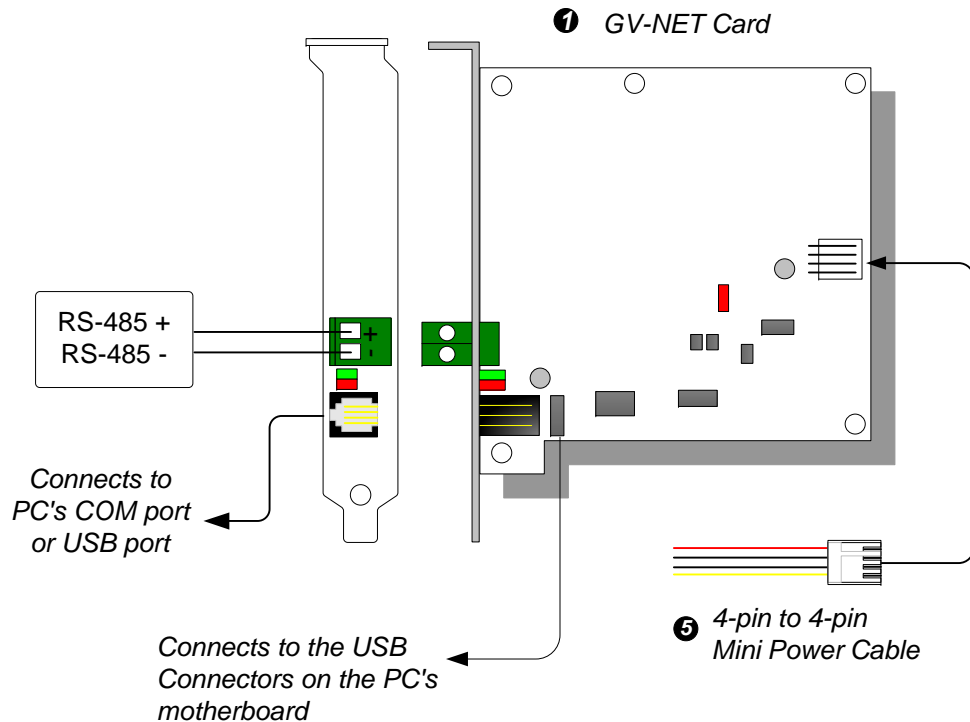
The GV-NET Card is a RS-485 / RS-232 interface converter that can be installed inside a PC. It also supports the connection via the USB port.

Installation

Insert the GV-NET card to an empty card slot. Use the 4-pin Mini Power Cable to connect the GV-NET card to the PC's power supply.

Packing List

- ❶ GV-NET Card x1
- ❷ RJ-11 to DB9 Cable x1
- ❸ RJ-11 to USB Cable x1
- ❹ 3-pin Internal USB Cable x1
- ❺ 4-pin to 4-pin Mini Power Cable x1
- ❻ Installation Guide x1



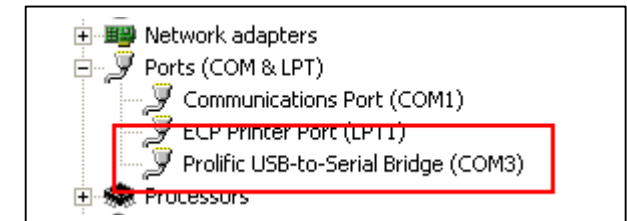
Specification

Interface	RJ-11 to DB9 (RS-232)
	RJ-11 to USB
	3-pin internal USB to internal USB
	RS-485+ / RS-485-
Communication	RS-485 1,200~115,200 bps; USB
Environmental Conditions	0 ~ 50°C / 32 ~122°F , 5%~95% (non-condensing)
Dimensions (W x H)	97 x 90 mm / 3.82 x 3.54 in

USB Driver Installation

To use the USB function, it is required to install the driver on the PC. Follow these steps to install the driver:

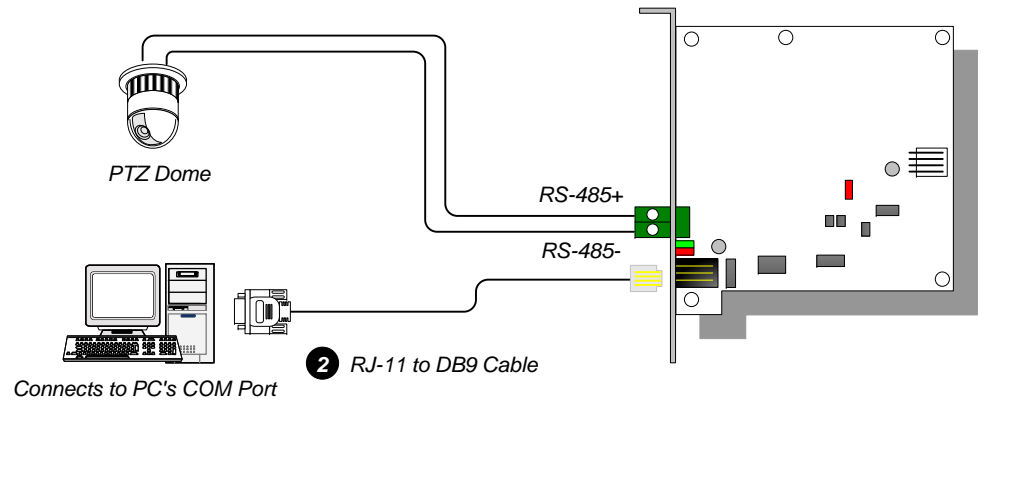
- (1) Insert the software CD. It will run automatically and pop up a window.
- (2) Select **Install or Remove GeoVision GV-Series Driver** and then click **Install GeoVision USB Devices Driver**. This dialog box appears.
- (3) Click **Install** to install the drivers. When the installation is complete, this message will appear: *Install done!*
- (4) Click **Exit** to close the dialog box.
- (5) To verify the drivers are installed correctly, go to Device Manager. Expanding the Ports field, you should see one entry for Profile USB-to-Serial Bridge.



Connections

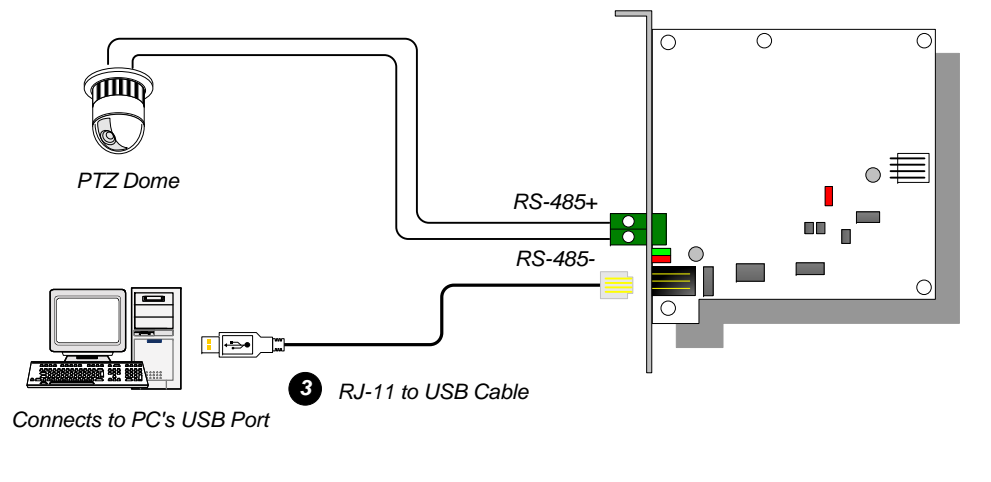
To connect the GV-NET Card to the RS-485 devices, there are 3 ways of connections. See the pictures below.

1. Connecting a RJ-11 to DB9 Cable to the PC's COM Port when a RS-485 device is connected.



2. Connecting a RJ-11 to USB Cable to the PC's USB Port when a RS-485 device is connected.

* Installation of USB driver is required.



3. Connecting a 3-Pin Internal USB Cable to the USB connectors on the PC's Motherboard when a RS-485 device is connected.

* Installation of USB driver is required.

